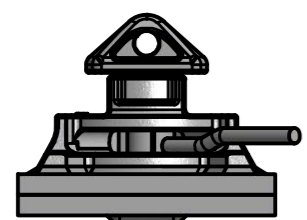


Bolt on twist lock

Concrete

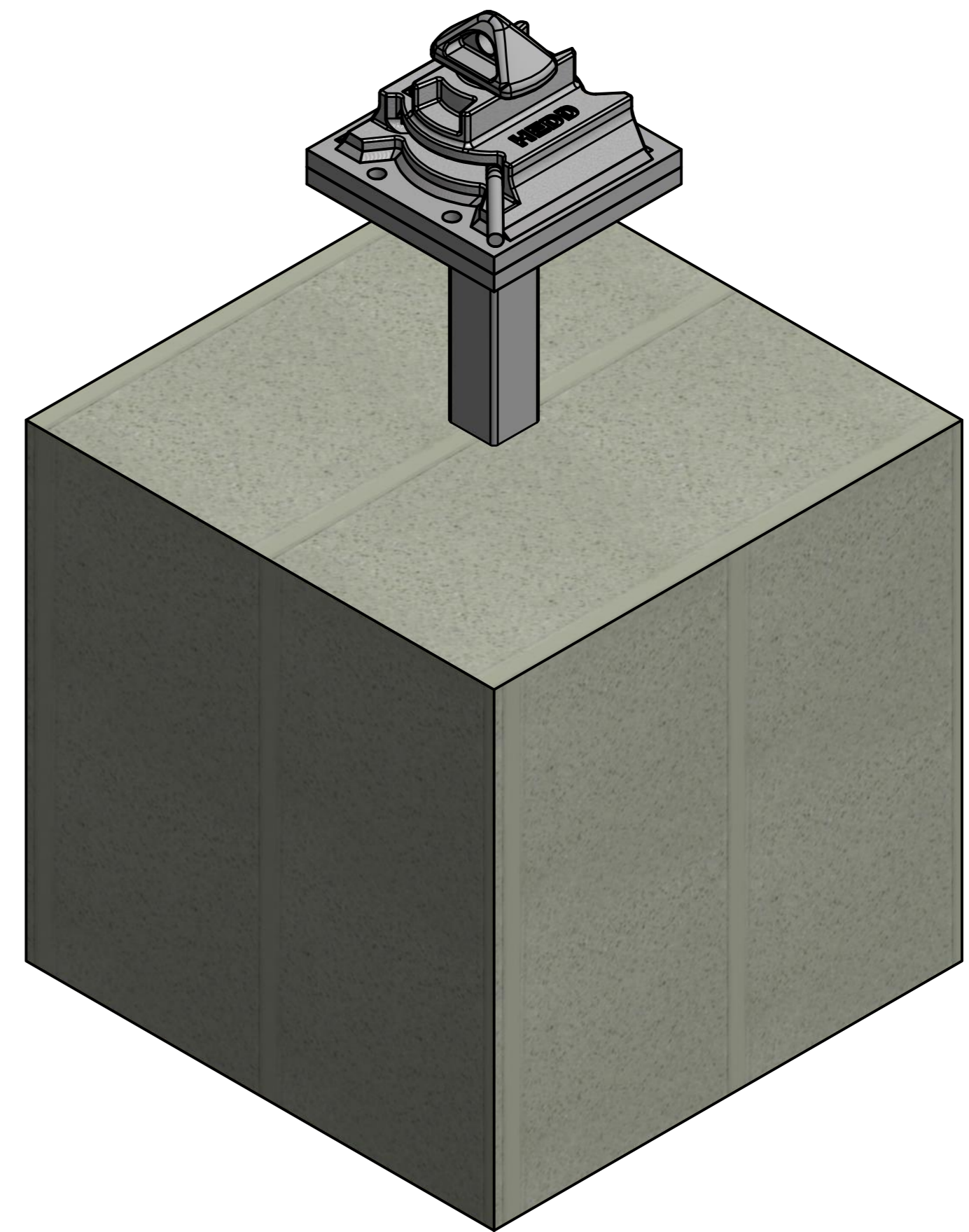
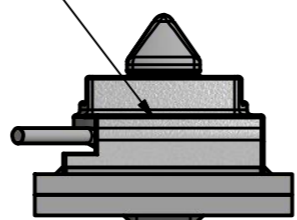


Footing post

Concrete

Bolt on twist lock

Concrete



DRAWN	4/12/2012	CONTAINER HOARDINGS	
User		TITLE	
CHECKED		Raised shipping container footing	
QA		SIZE	DWG NO
MFG		A2	CHRF1
APPROVED		SCALE	REV
			SHEET 1 OF 1