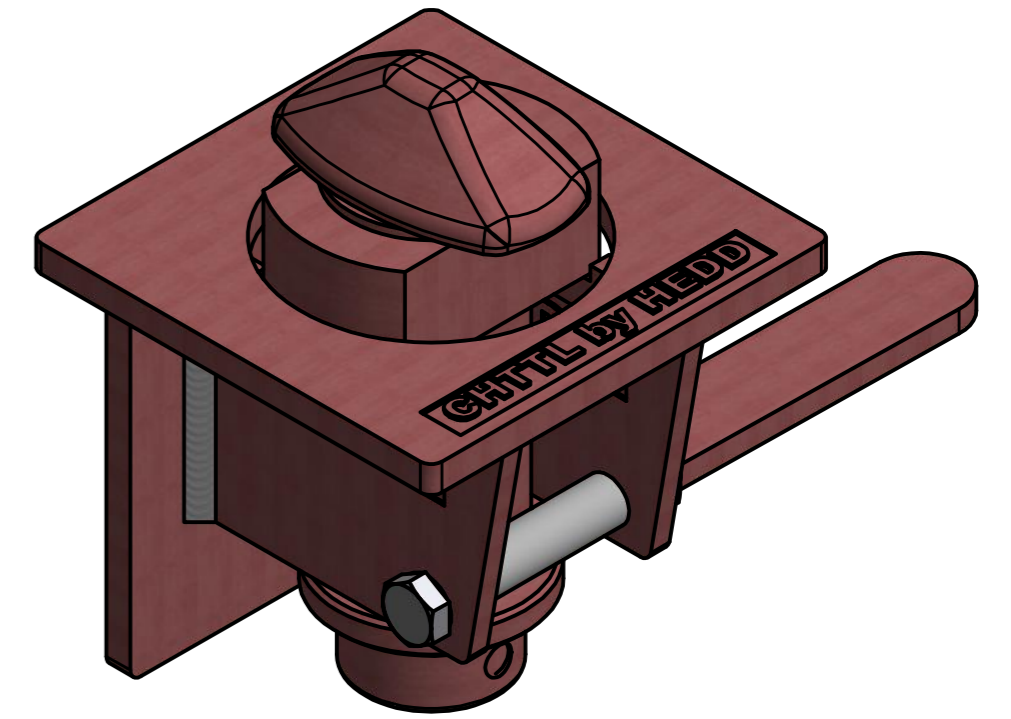
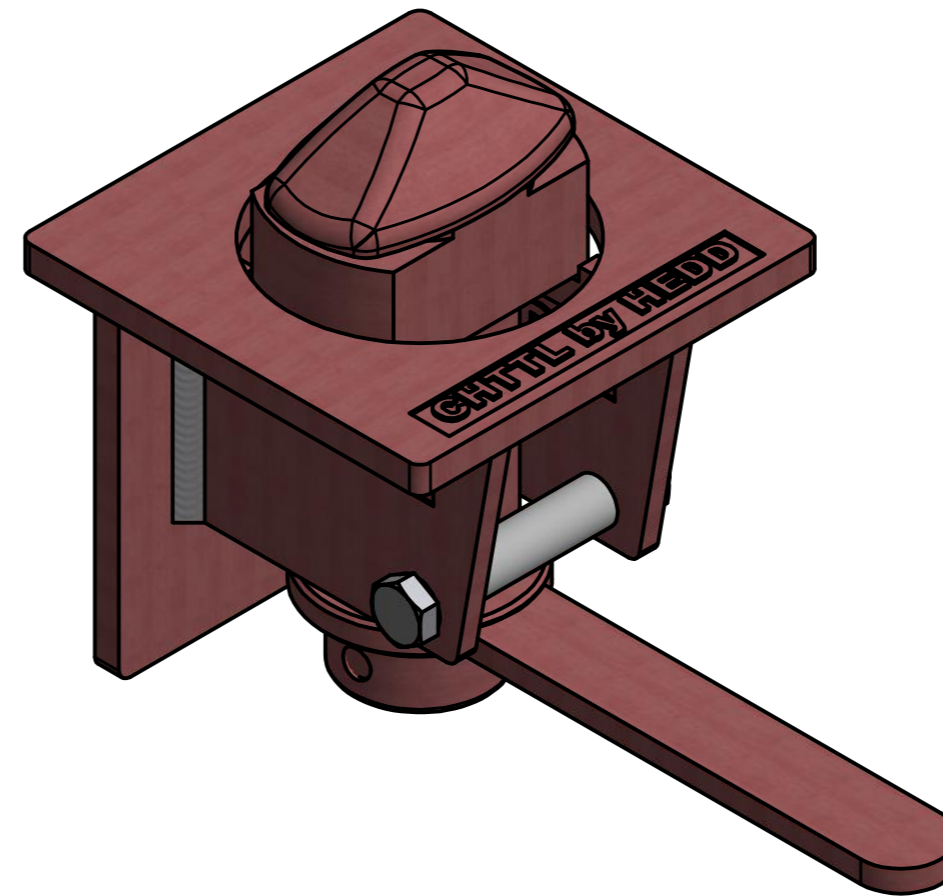


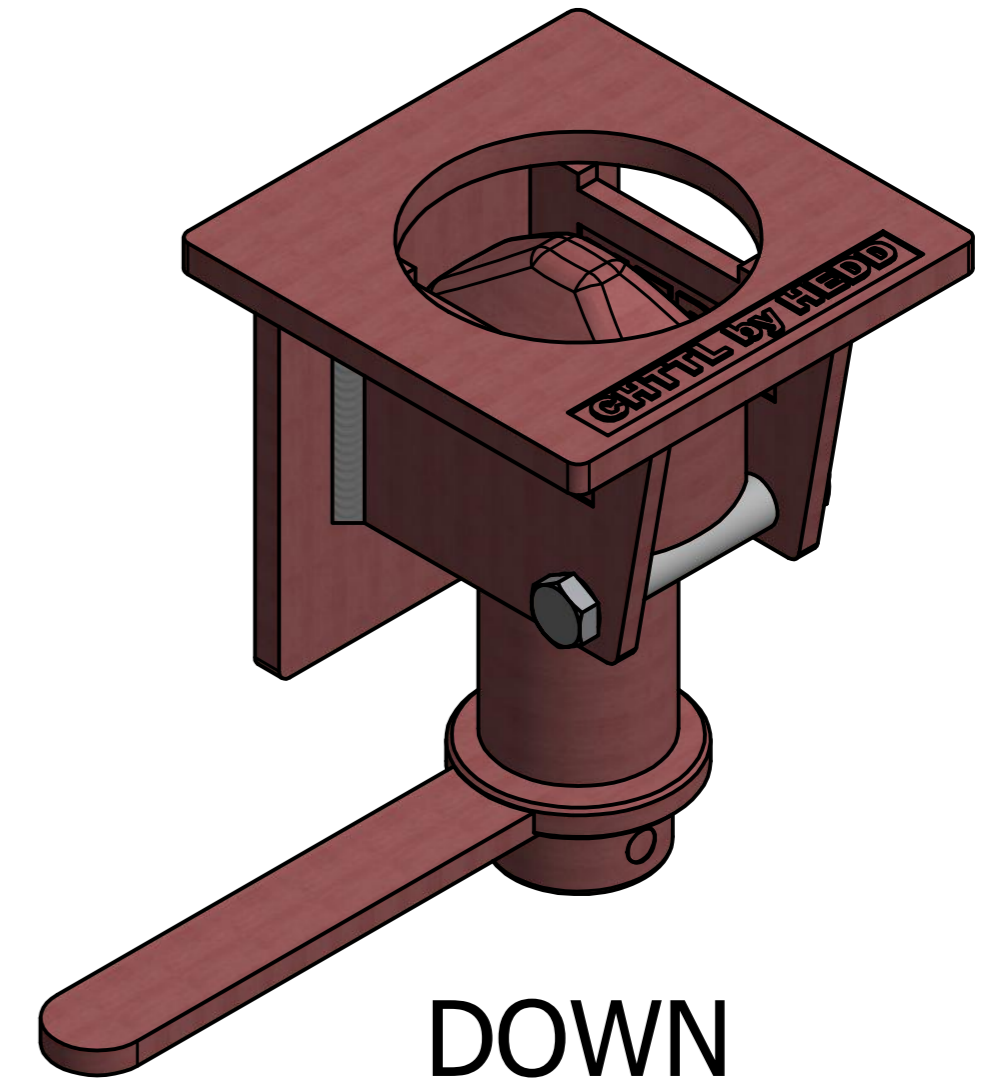
TRUCK AND TRAILER TWIST LOCK



UP AND CLOSED

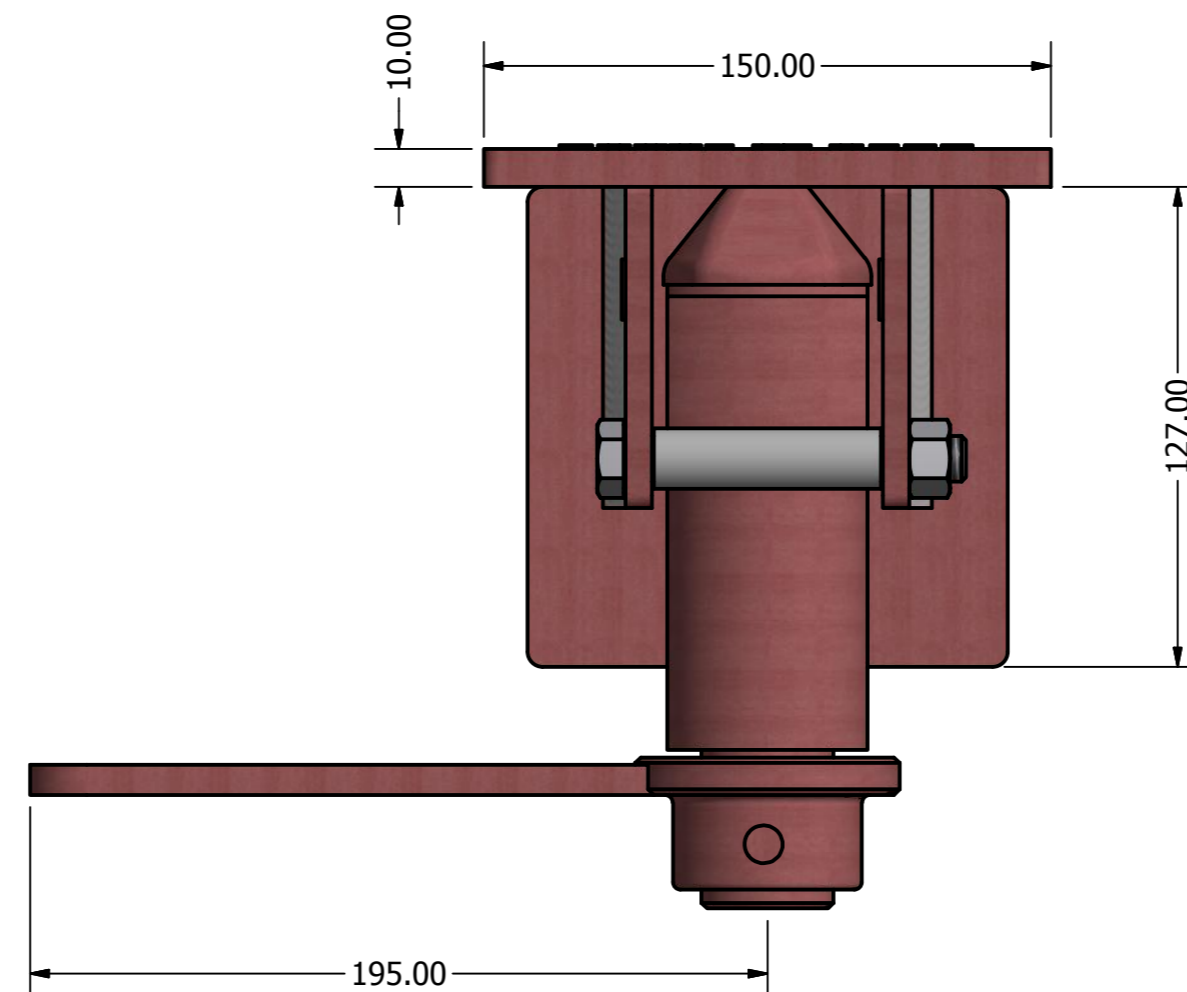
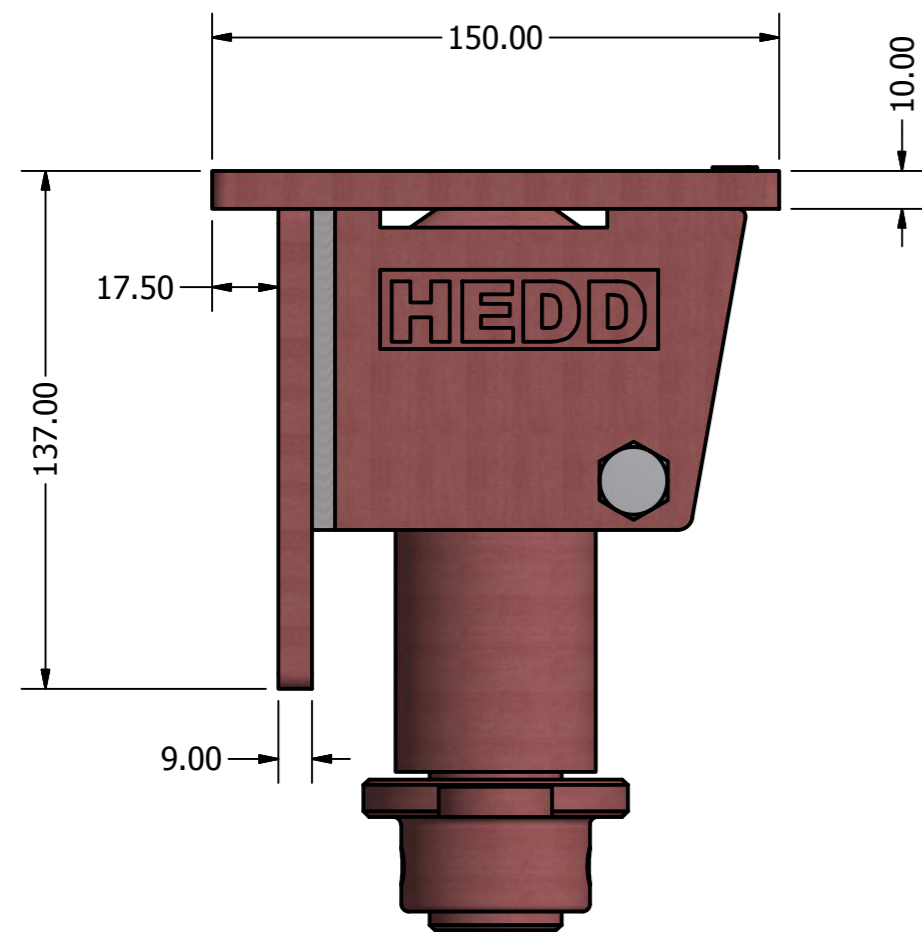
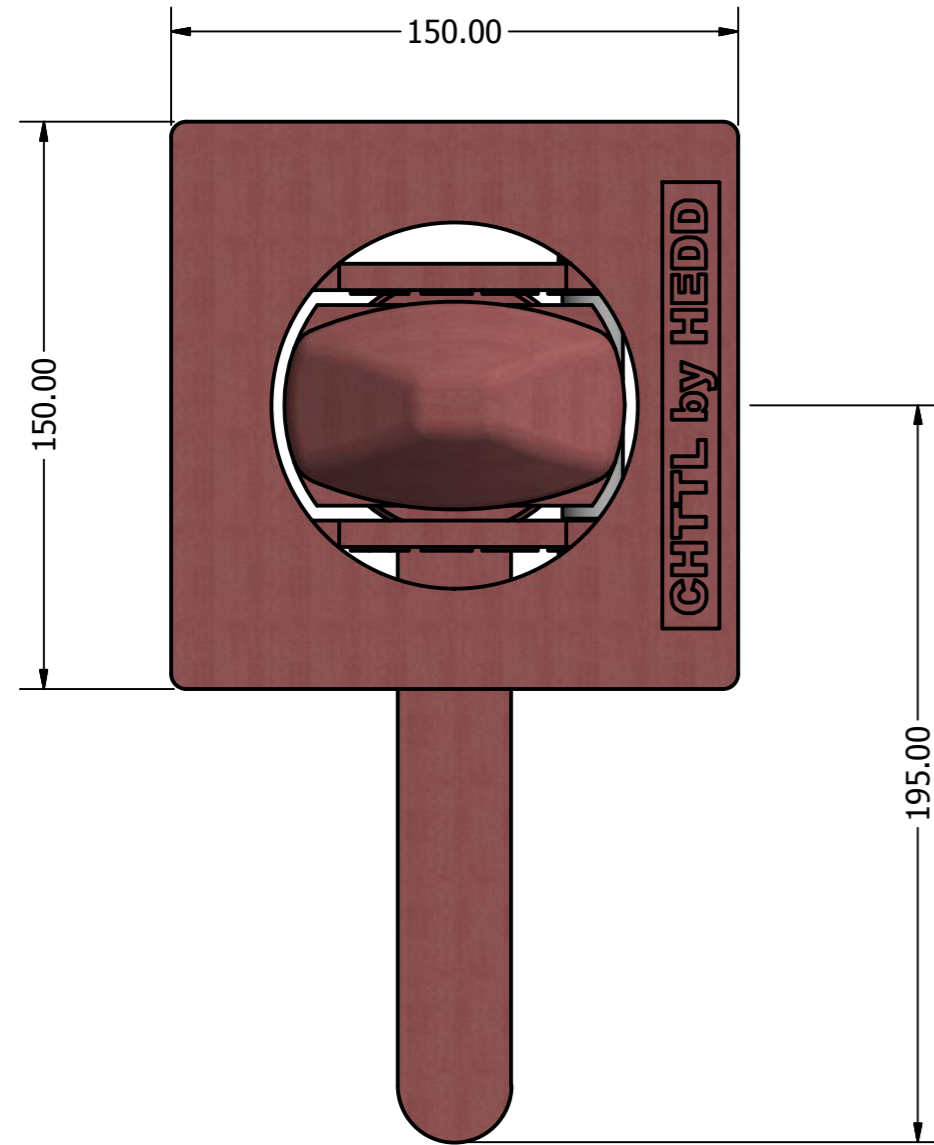


UP AND OPEN



DOWN

PHONE: 0425 276 837



DRAWN	4/12/2012	CONTAINER HOARDINGS		
User		TITLE		
CHECKED		TRUCK AND TRAILER TWIST LOCK		
QA		SIZE	DWG NO	REV
MFG		A2	Part Number - CHTTL	01
APPROVED		SCALE	SHEET 1 OF 1	