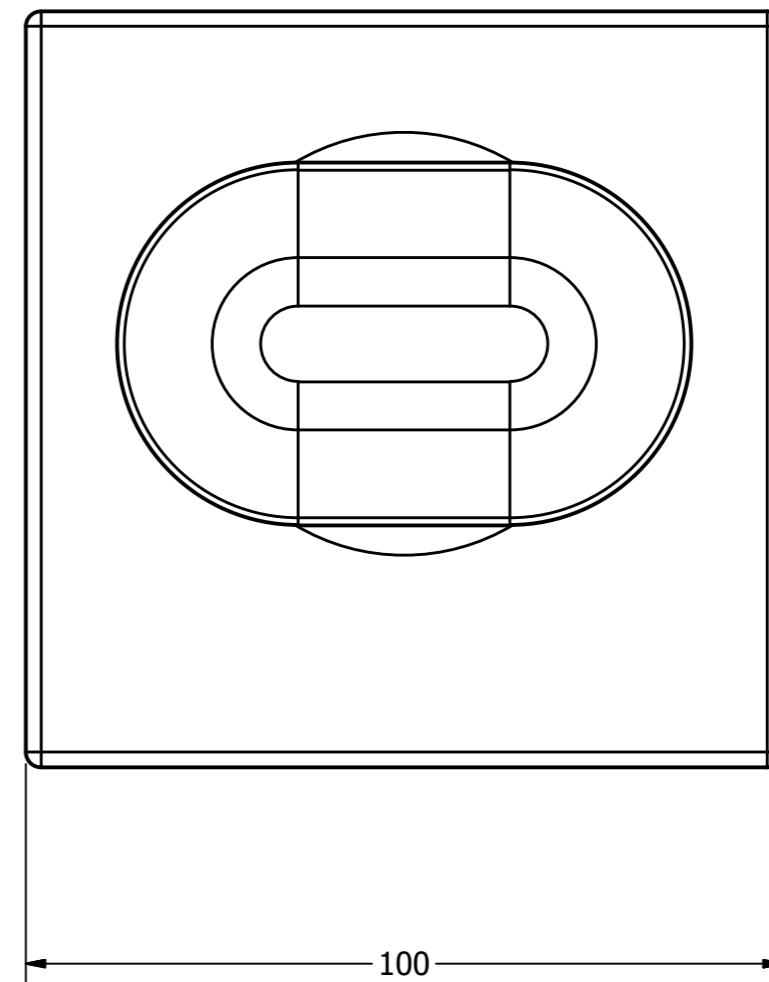
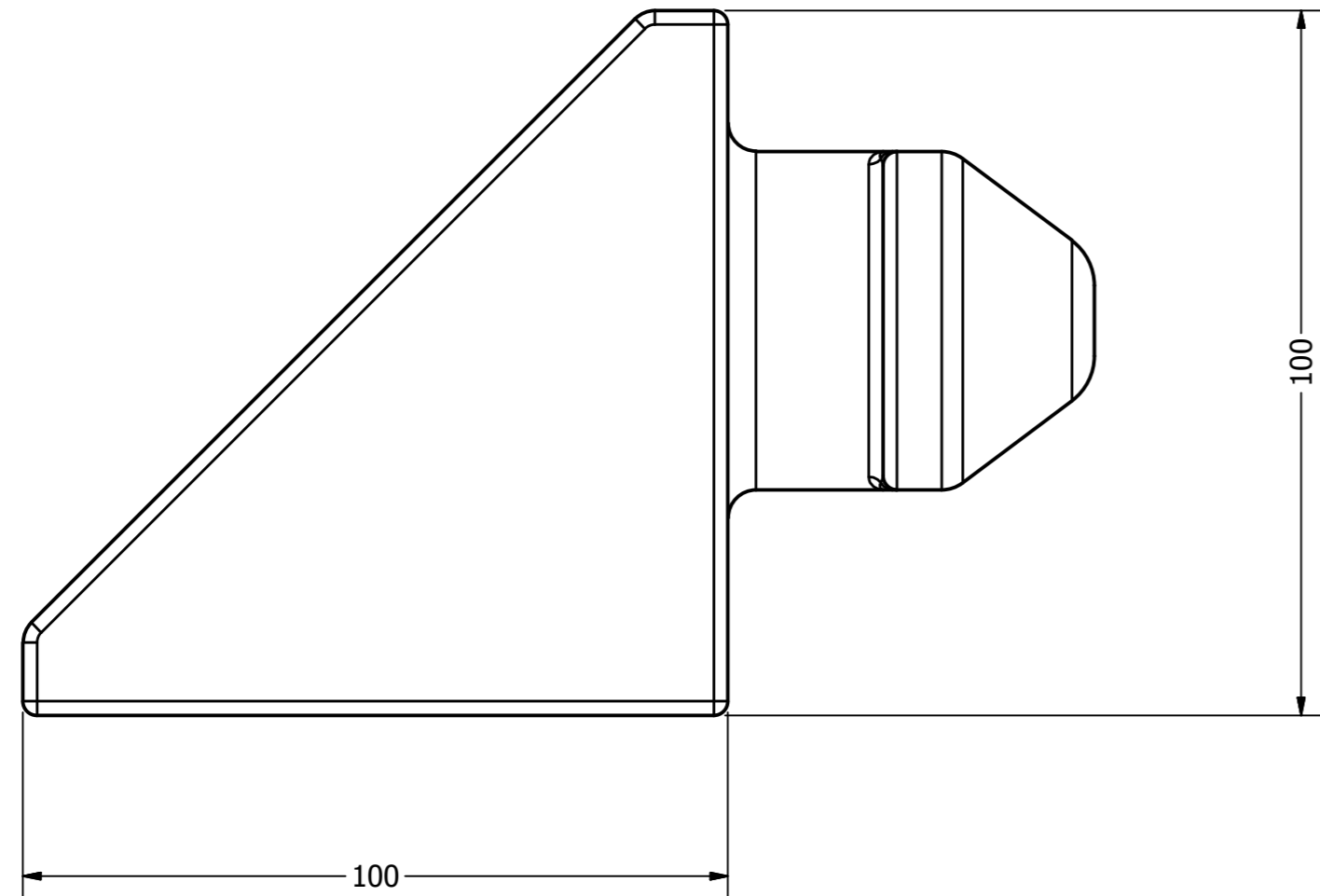
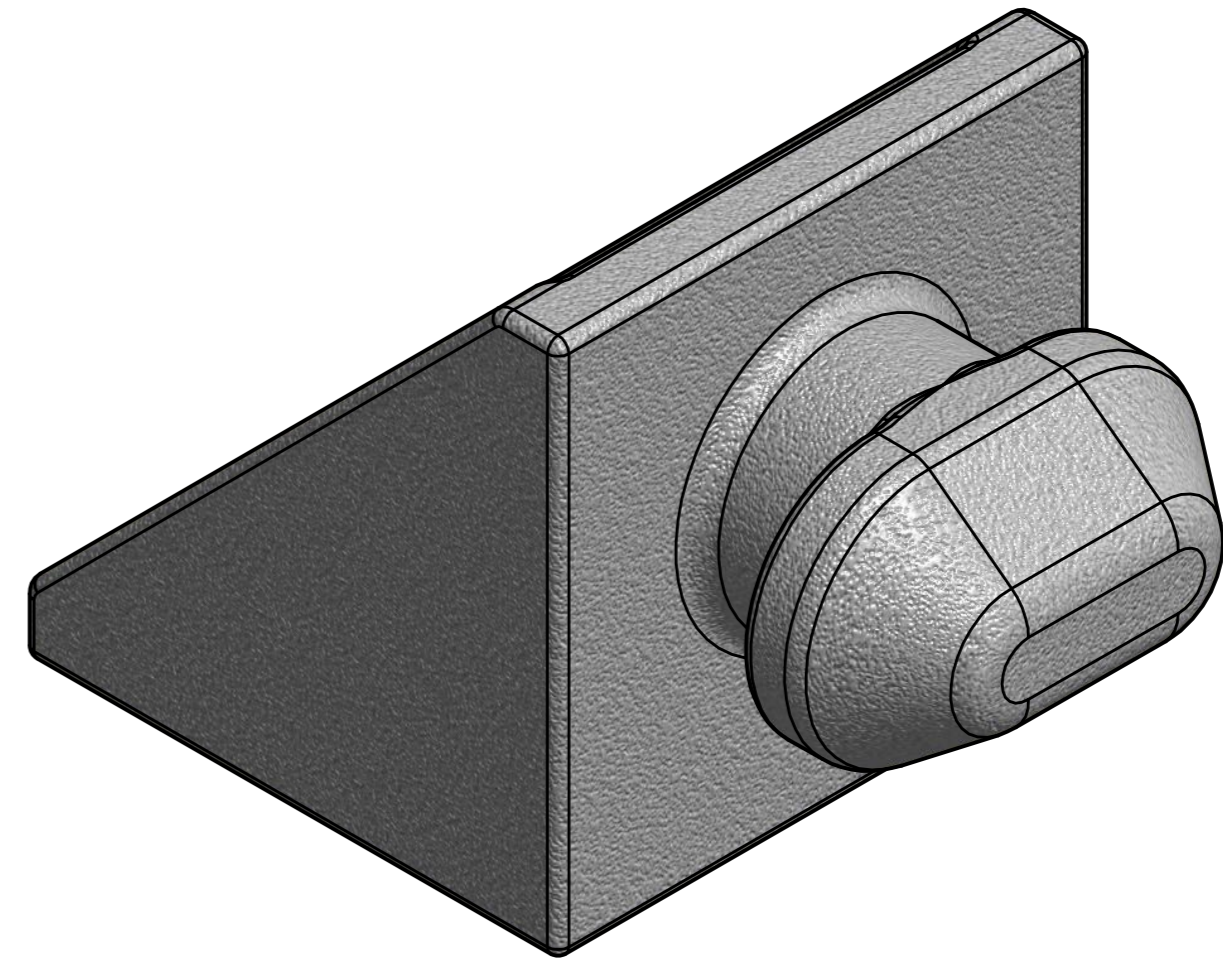
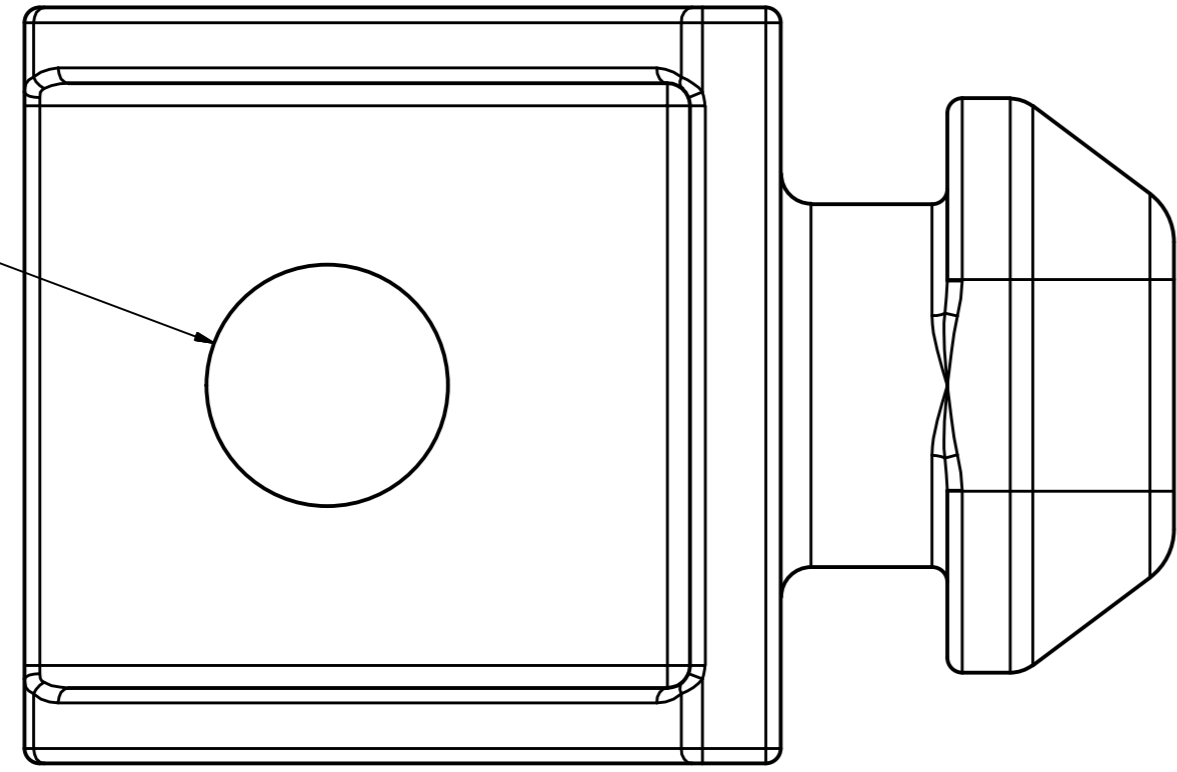


Ø32



Material: ZG270-500  
Finish: Hot dipped Galvanised  
SWL Tension: 40 kN  
SWL Shear: 20 kN  
MBL Tension: 200 kN

Patent Pending

Hot dipped Galvanised

PHONE: 0425 276 837



DRAWN	4/12/2012	CONTAINER HOARDINGS		
User		TITLE		
CHECKED		Side BoltableTwist lock		
QA		SIZE	DWG NO	REV
MFG		A2	CHSTL	01
APPROVED		SCALE	SHEET 1 OF 1	