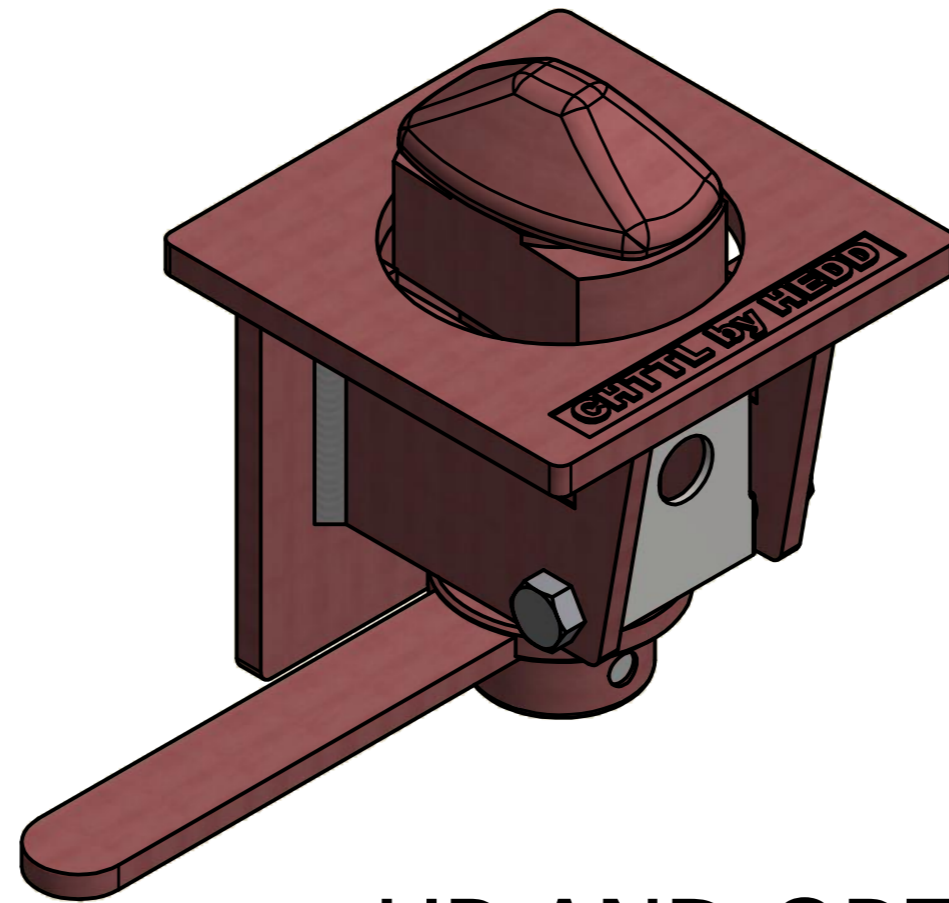
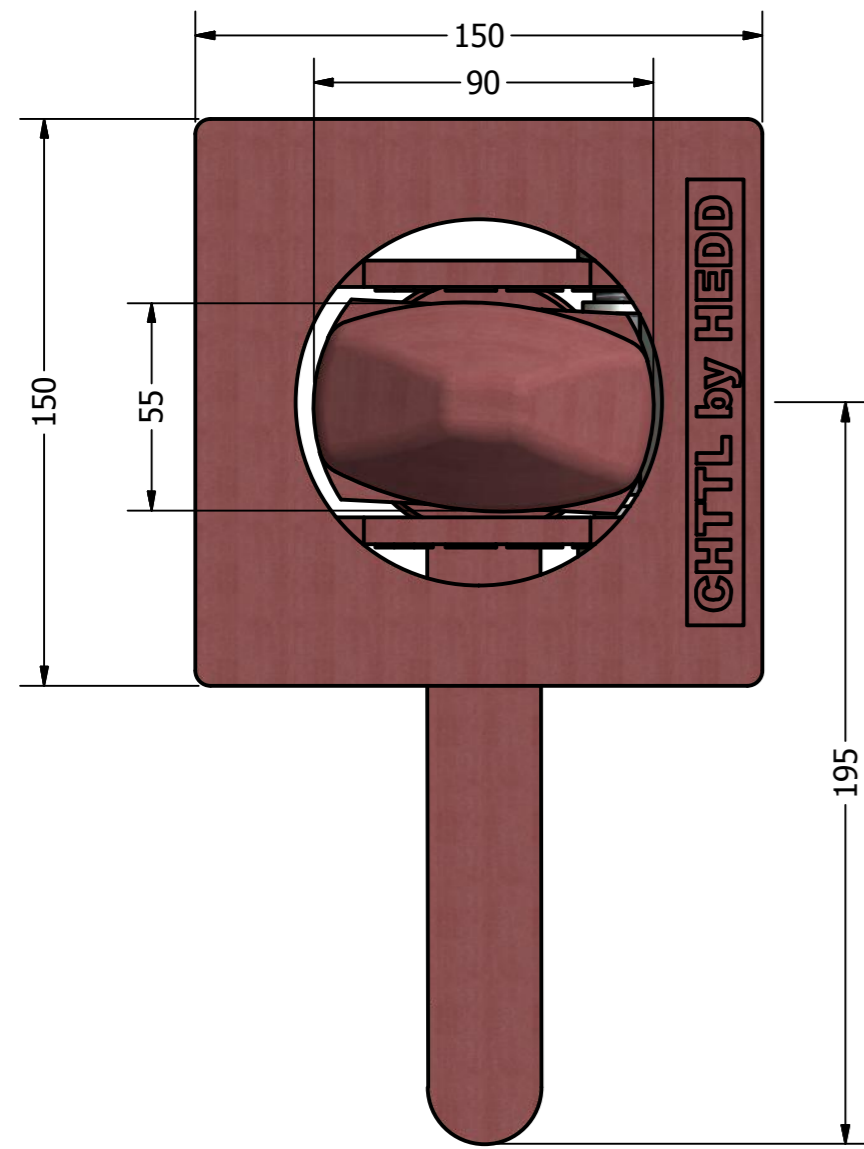
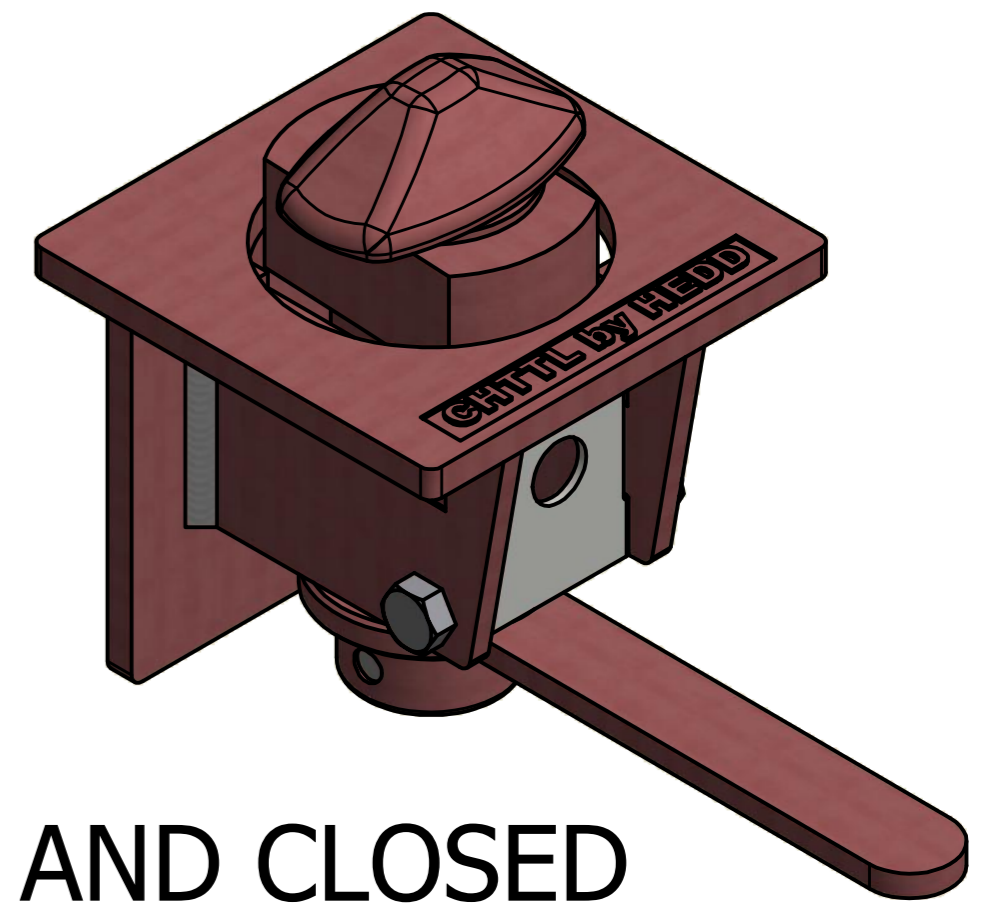


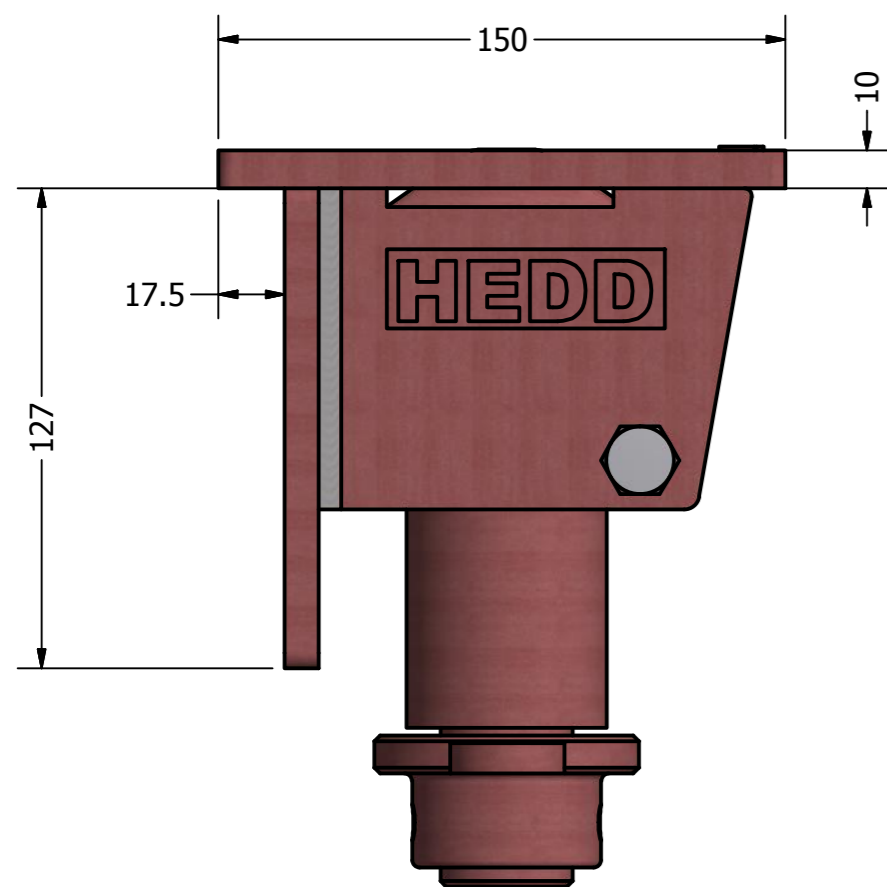
## TILT TRAY TWIST LOCK



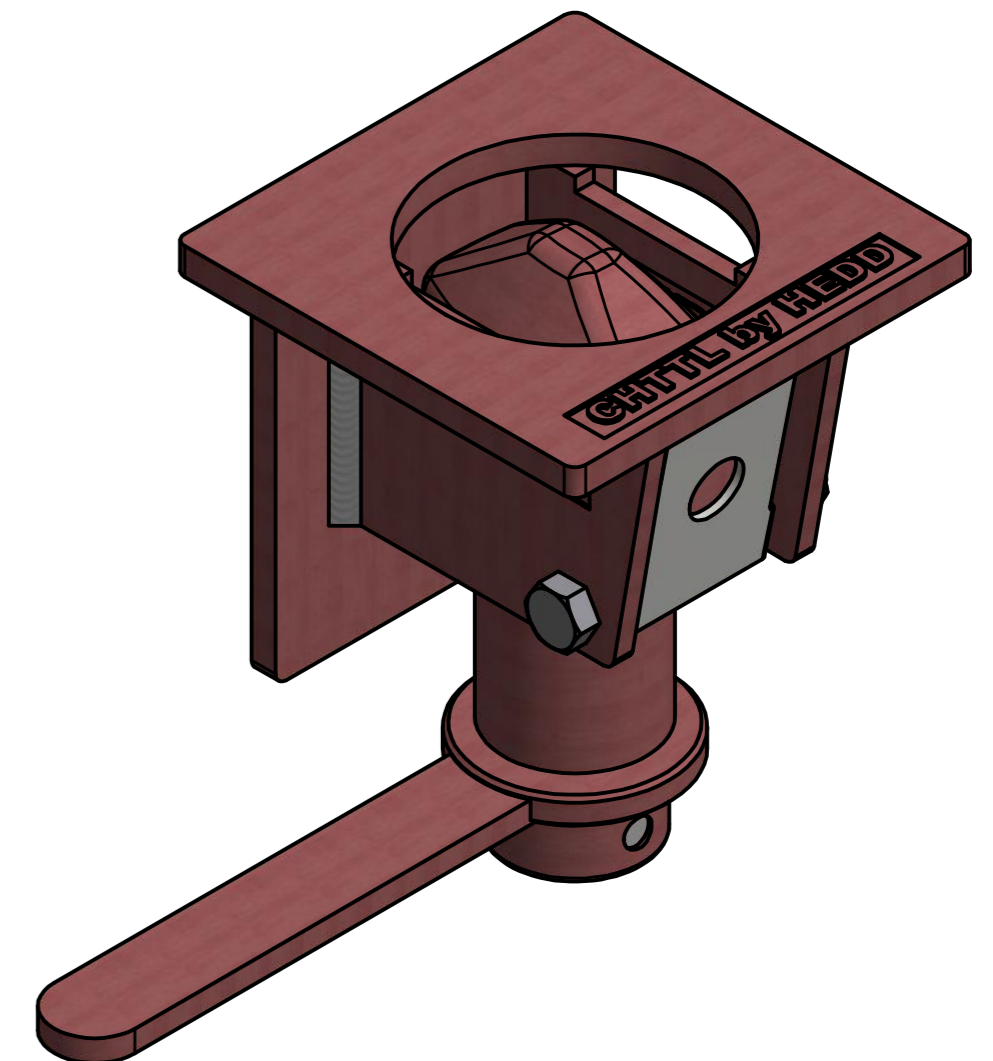
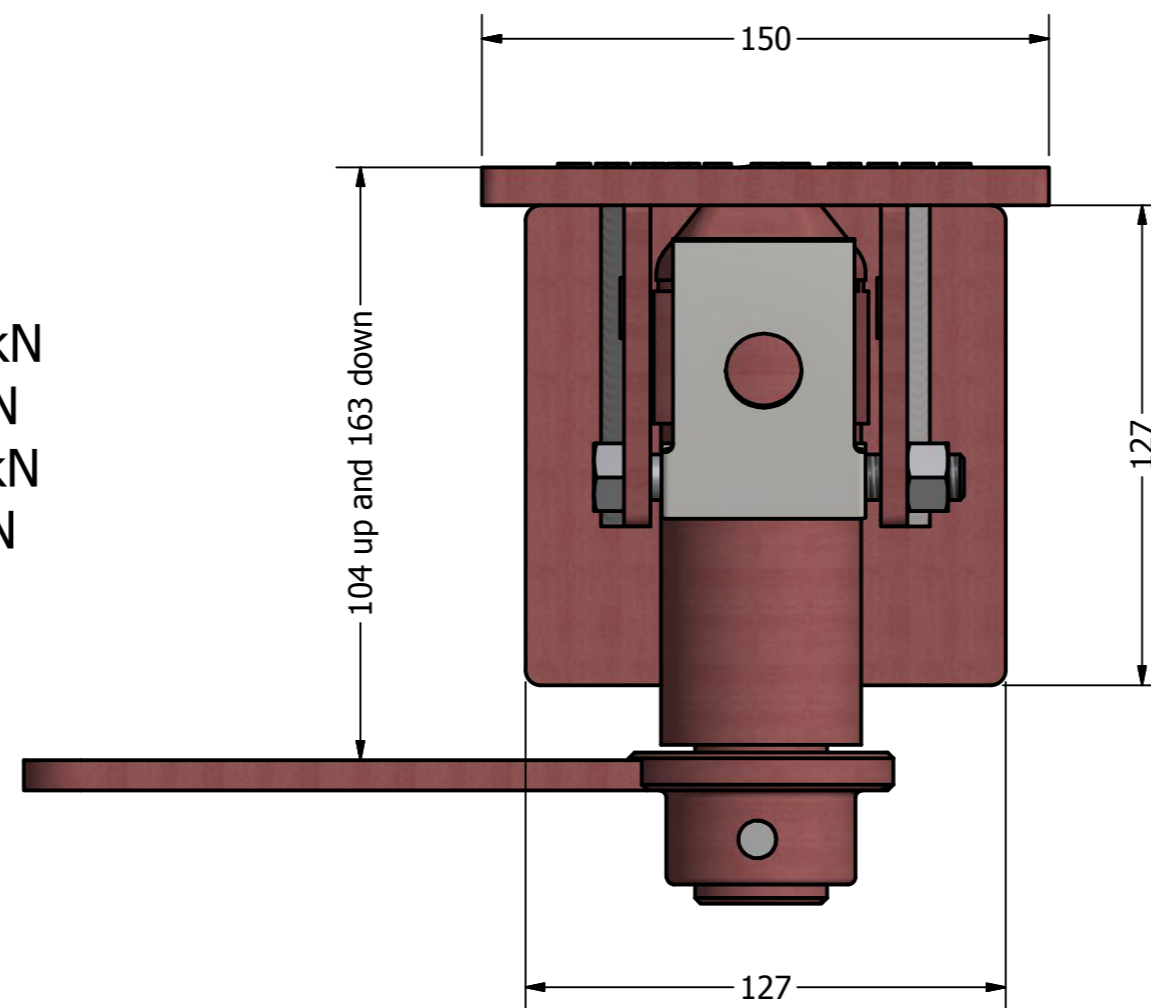
UP AND OPEN



UP AND CLOSED



SWL Tension: 250 kN  
 SWL Shear: 210 kN  
 MBL Tension: 500 kN  
 MBL Shear: 420 kN



DOWN

**PHONE: 0425 276 837**

DRAWN	User	4/12/2012	CONTAINER HOARDINGS	
CHECKED			TITLE	
QA			TILT TRAY TWIST LOCK	
MFG			SIZE	DWG NO
APPROVED			A2	Part Number - CHTTL-TT
			SCALE	REV 01
				SHEET 1 OF 1