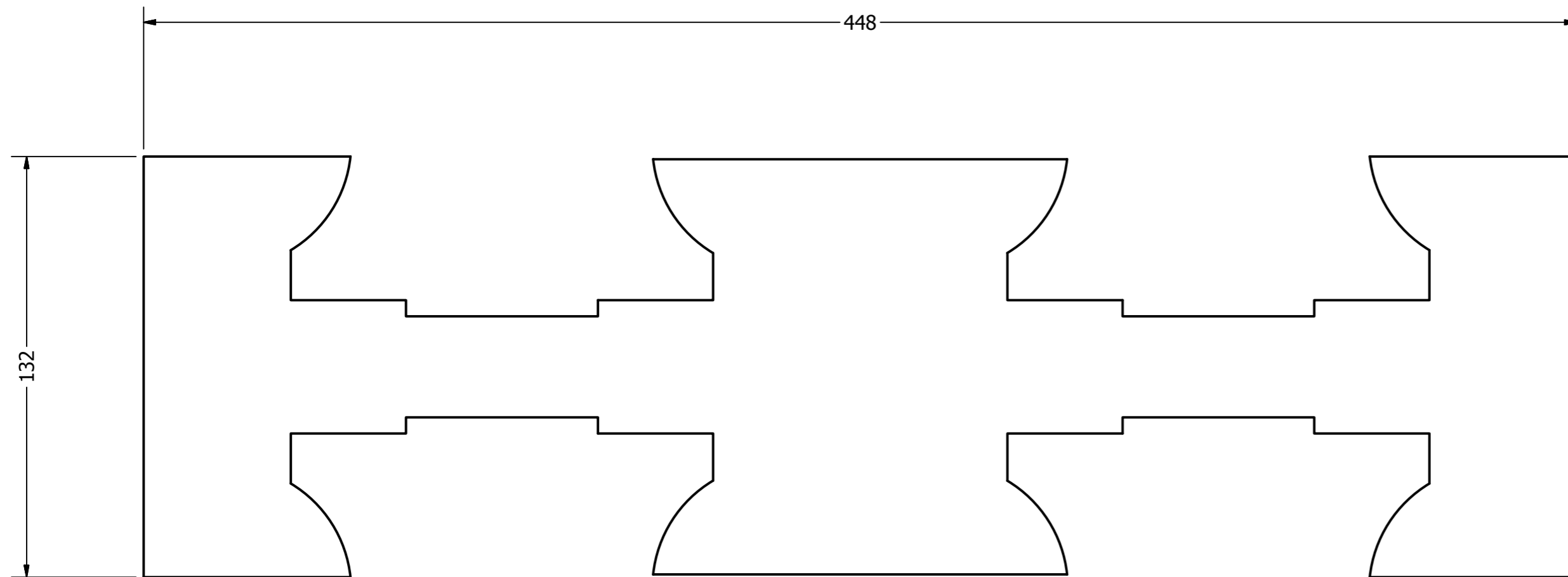
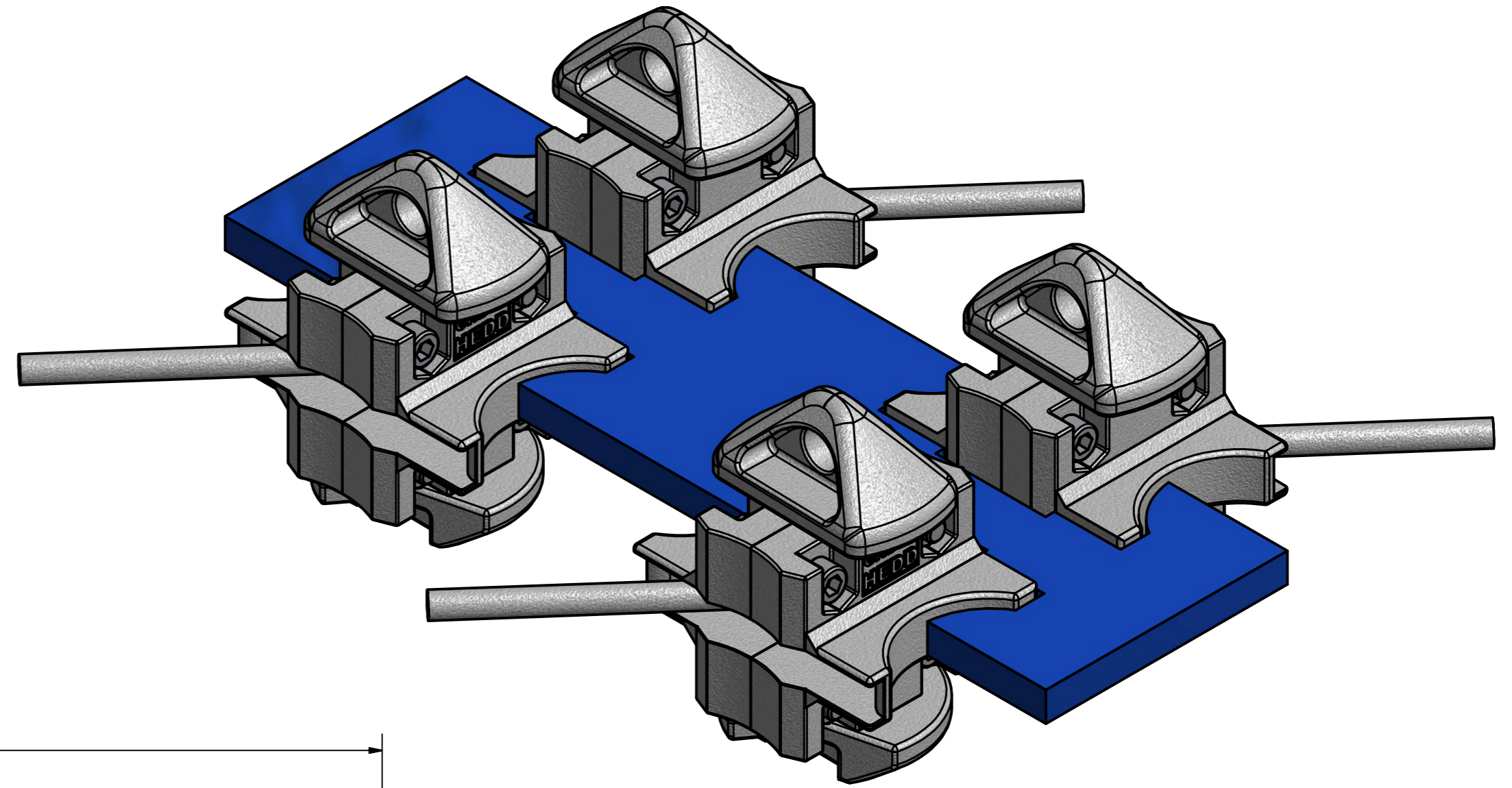


PATENT PENDING



PHONE: 0425 276 837

DRAWN	User	4/12/2012	CONTAINER HOARDINGS	
CHECKED			TITLE	
QA			TWIST LOCK 4 WAY JOINER	
MFG			SIZE	DWG NO
APPROVED			A2	Part Number CHTL4WJ
			SCALE	REV 01
				SHEET 1 OF 1