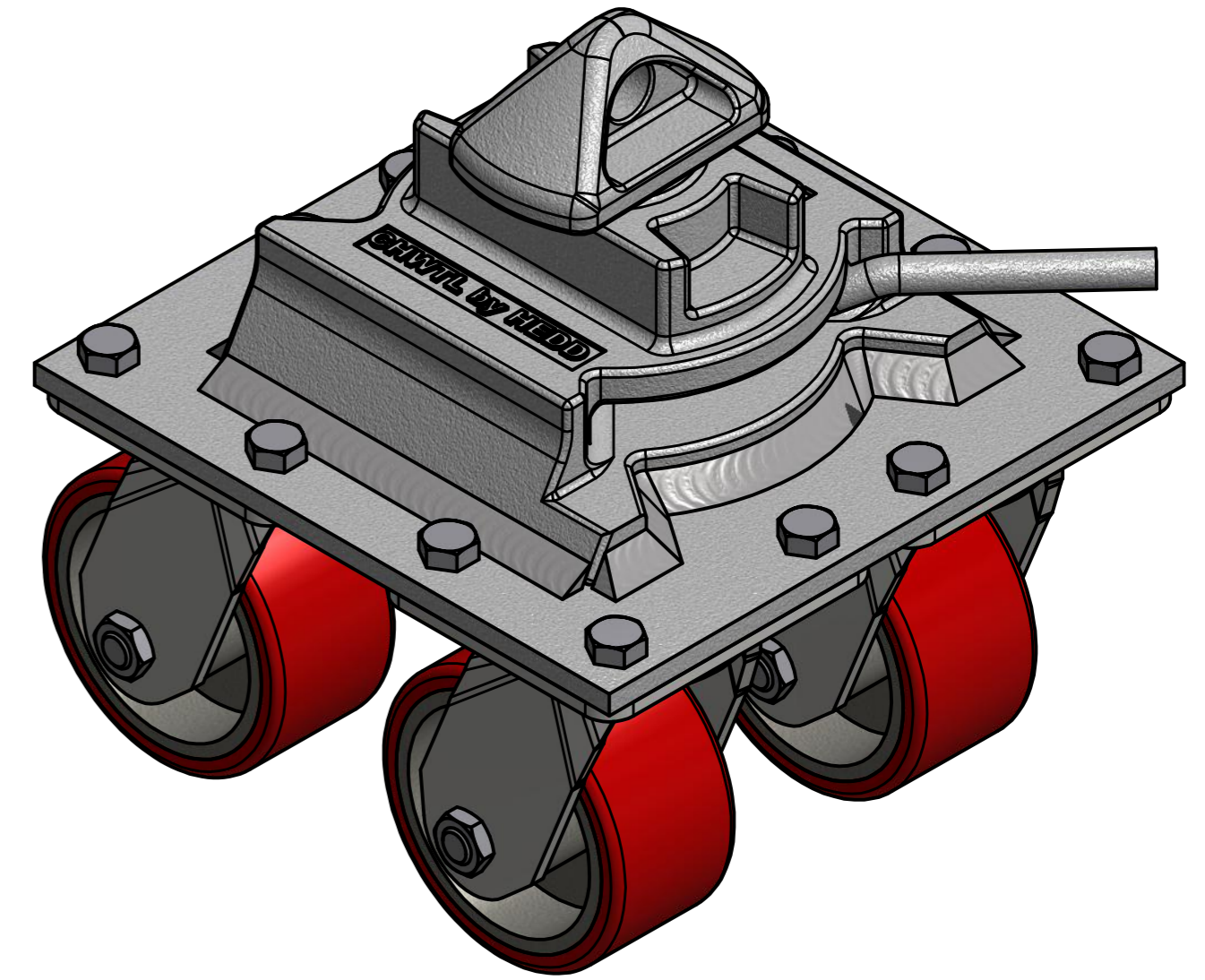
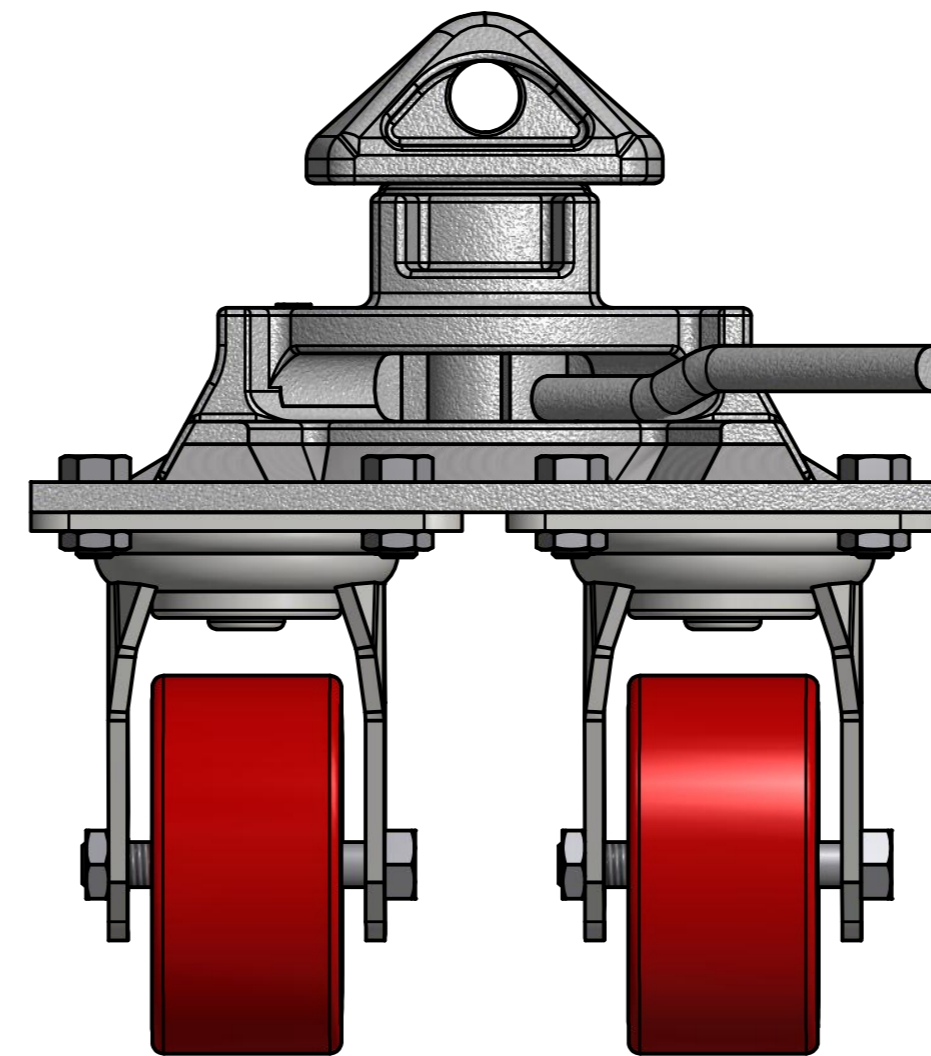
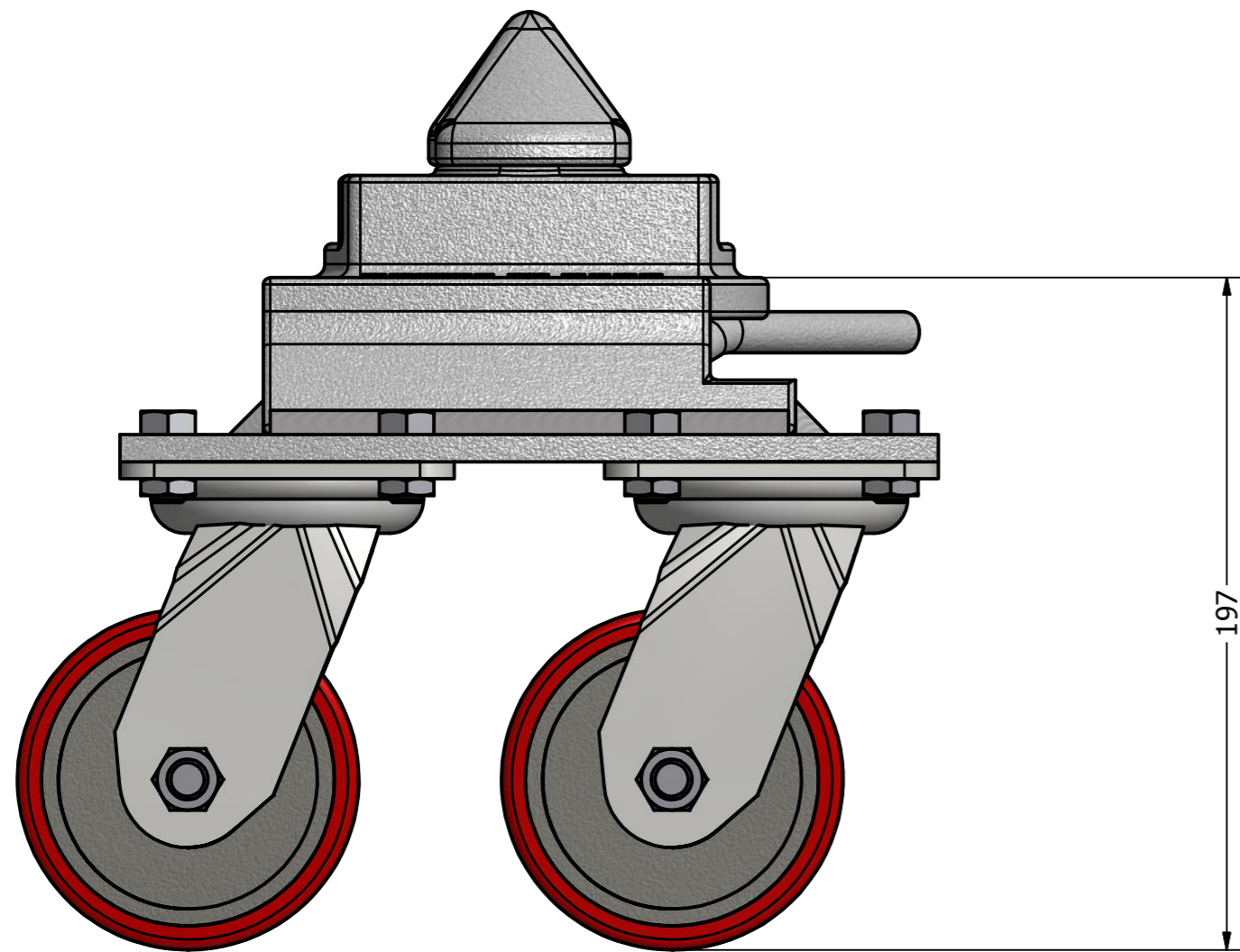


**PATENT PENDING**



**Features and benefits:**

- Locks directly to Container  
Corners allow quick and safe manual handling of container
- Swivel Castors for easy movement of container
- Nylon tread for low noise and no marking on floor
- 5" wheels for easy access into the container
- 1 tonne capacity giving a 4 tonne total capacity when used on all 4 corners of container



**1 Tonne Shipping Container Corner Trolley**



**PHONE: 0425 276 837**

|          |          |   |              |     |
|----------|----------|---|--------------|-----|
| DRAWN    | 08/02/17 | HEDD Engineered Design                        |              |     |
| User     |          | TITLE<br>Shipping Container<br>Corner Trolley |              |     |
| CHECKED  |          |   |              |     |
| QA       |          |   |              |     |
| MFG      |          |   |              |     |
| APPROVED |          | SIZE  | DWG NO       | REV |
|          |          | A2  | CHTR1T       | 01  |
|          |          | SCALE   | SHEET 1 OF 1 |     |