

www.twistlocks.com.au



Sydney Office

147 Prince Edward Park Rd
Woronora NSW 2232
Tel: 0425 276 837
Fax: 02 9542 6072

Perth Office

93 Orange Valley Road
Kalamunda WA 6076
Tel: (08) 9257 2170

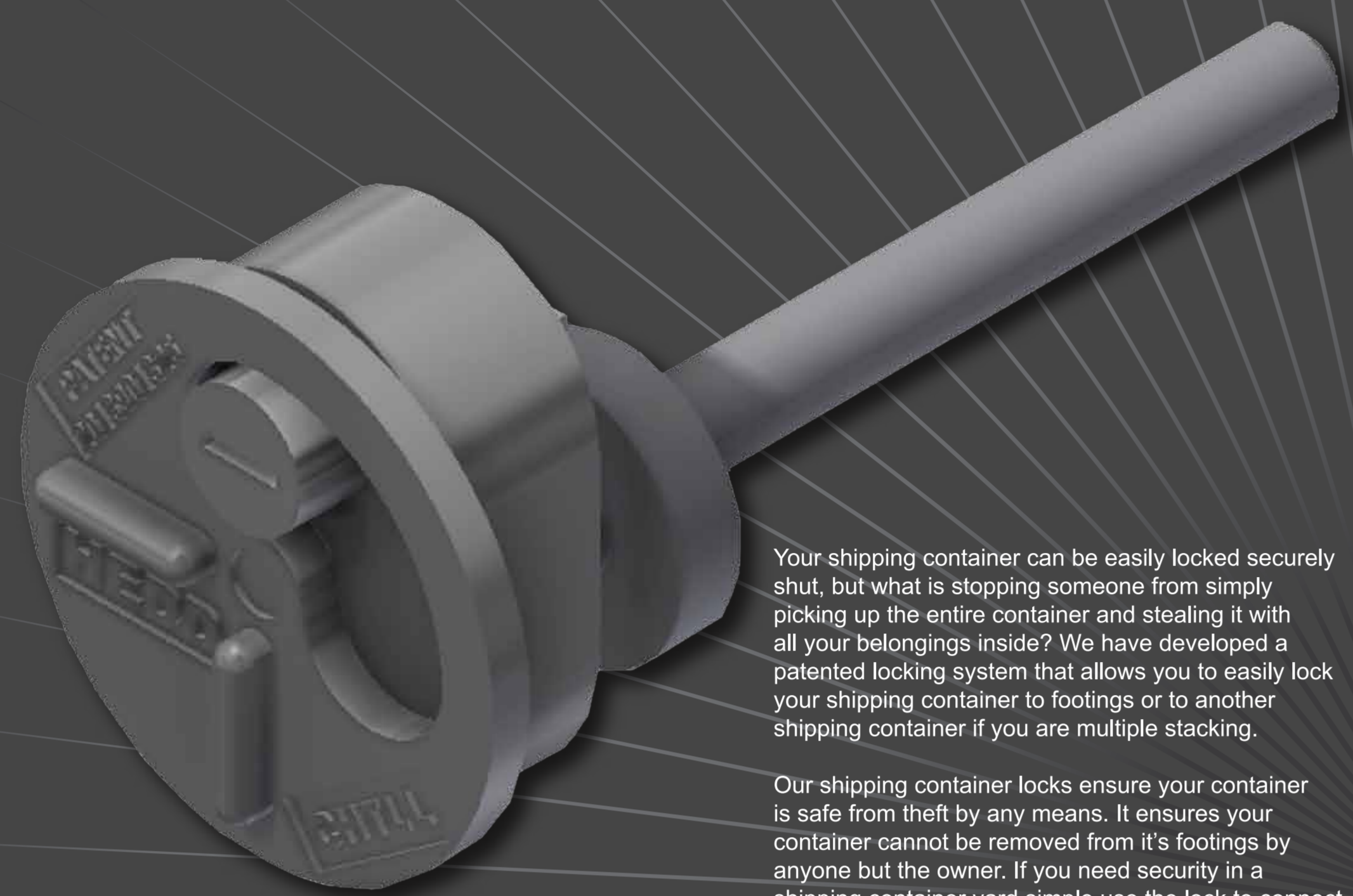
Adelaide Office

30 Magazine Road
Dry Creek SA 5094
Tel: 0425 276 837

PATIENT # 2013901325



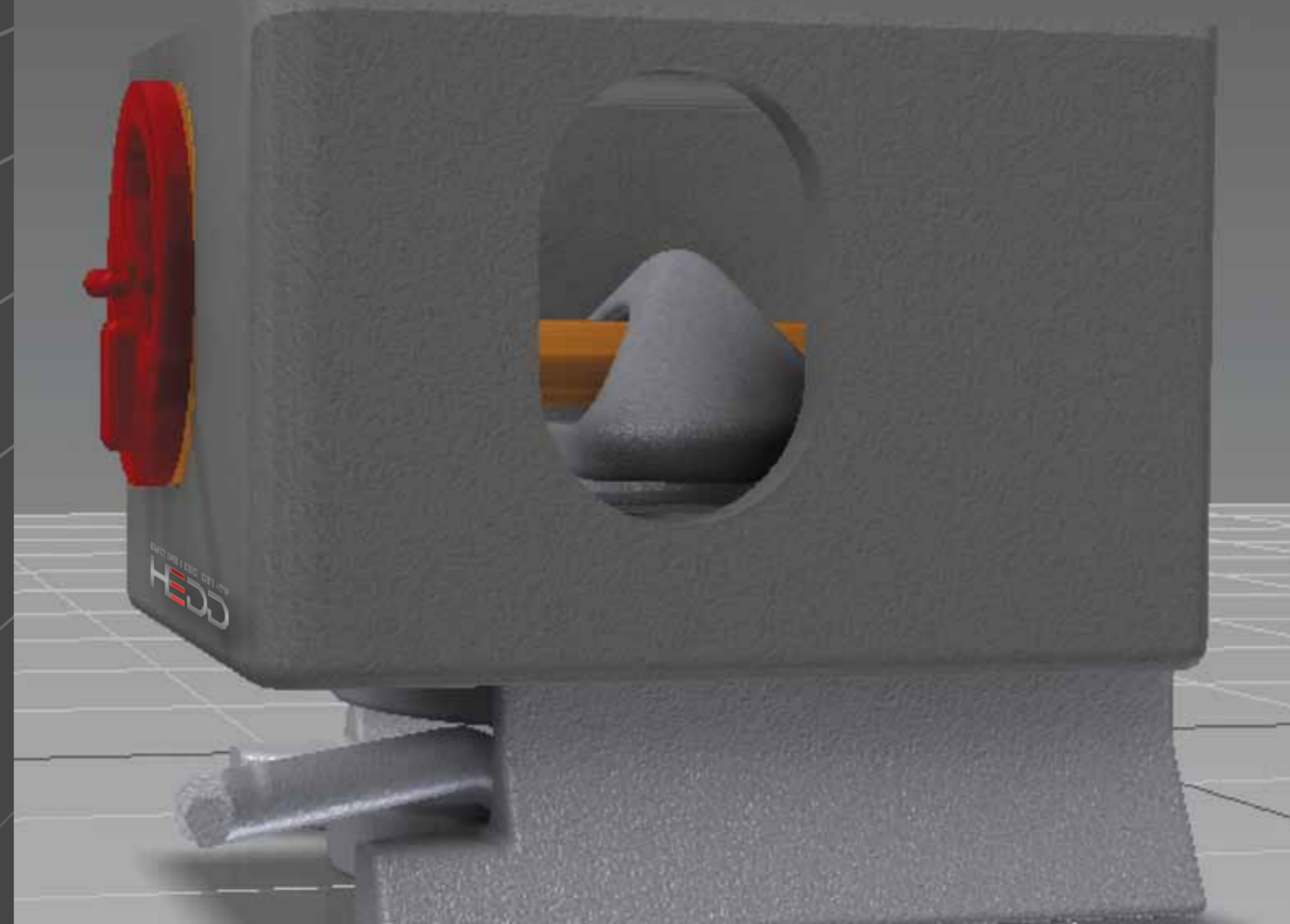
COMPLETE CONTAINER LOCK



Your shipping container can be easily locked securely shut, but what is stopping someone from simply picking up the entire container and stealing it with all your belongings inside? We have developed a patented locking system that allows you to easily lock your shipping container to footings or to another shipping container if you are multiple stacking.

Our shipping container locks ensure your container is safe from theft by any means. It ensures your container cannot be removed from its footings by anyone but the owner. If you need security in a shipping container yard simple use the lock to connect and lock two shipping containers together vertically. It is impossible for double stacked shipping containers to be transported due to their height even if they can be picked up!

The lock is easily installed and removed in a matter of seconds, they are available individually keyed or keyed alike and are manufactured in Stainless Steel.



How does it work?

Our patented design works in conjunction with a standard double ended, weldable or boltable twist lock in a way that ensures the twist lock cannot be opened once the lock is installed. A minimum of two Twist Locks are needed per container, located in opposite corners but we advise for maximum security four should be used, one in each corner. So, the answer as to how do you stop someone stealing your shipping container is now easily answered, simply install our twist lock locks.

