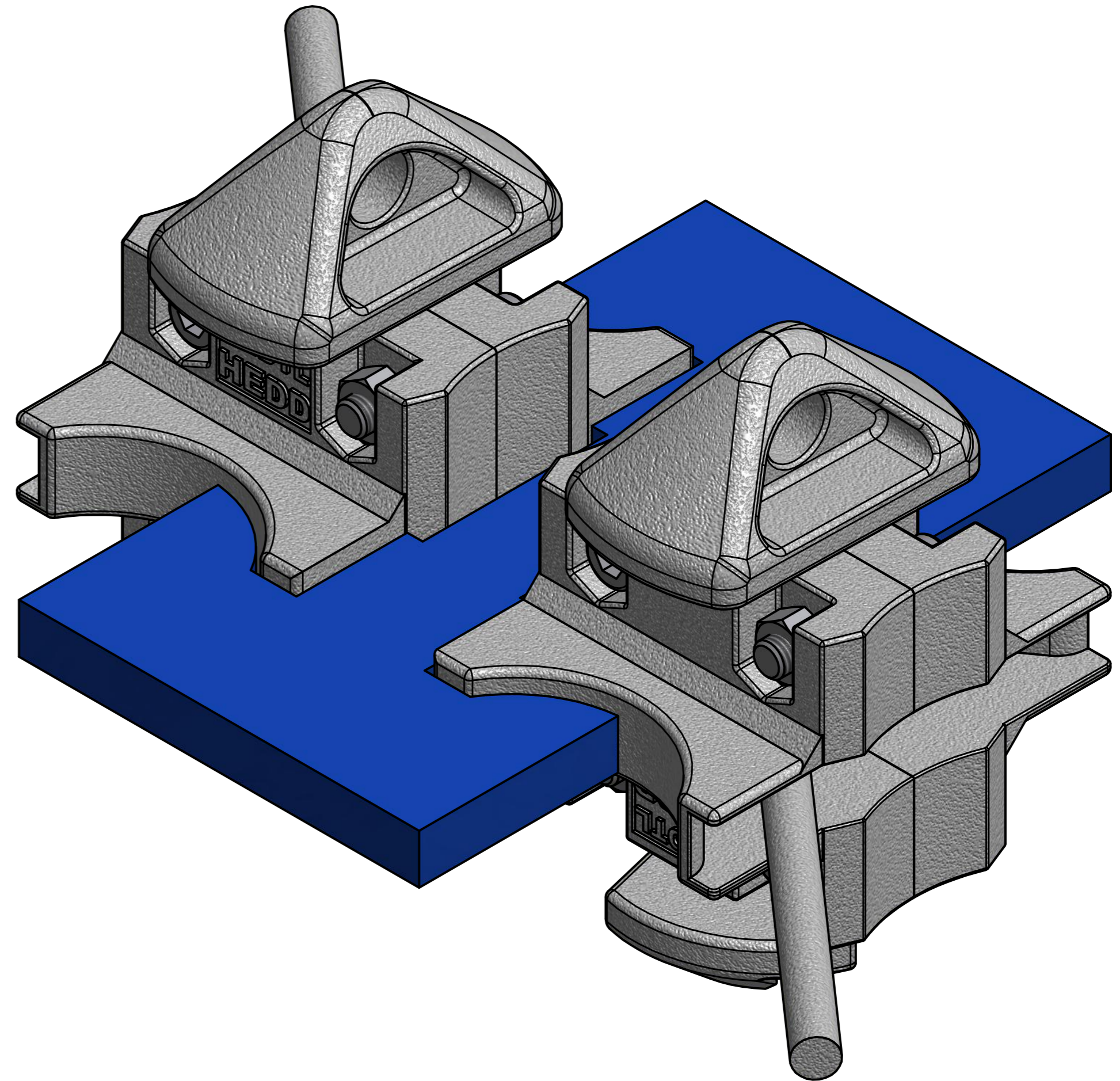
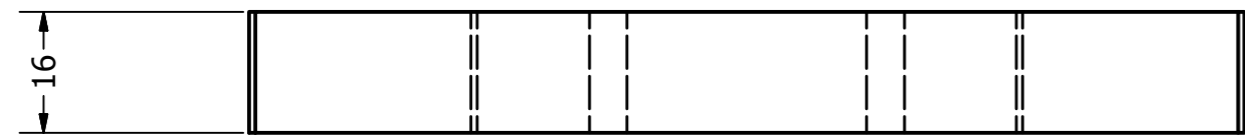
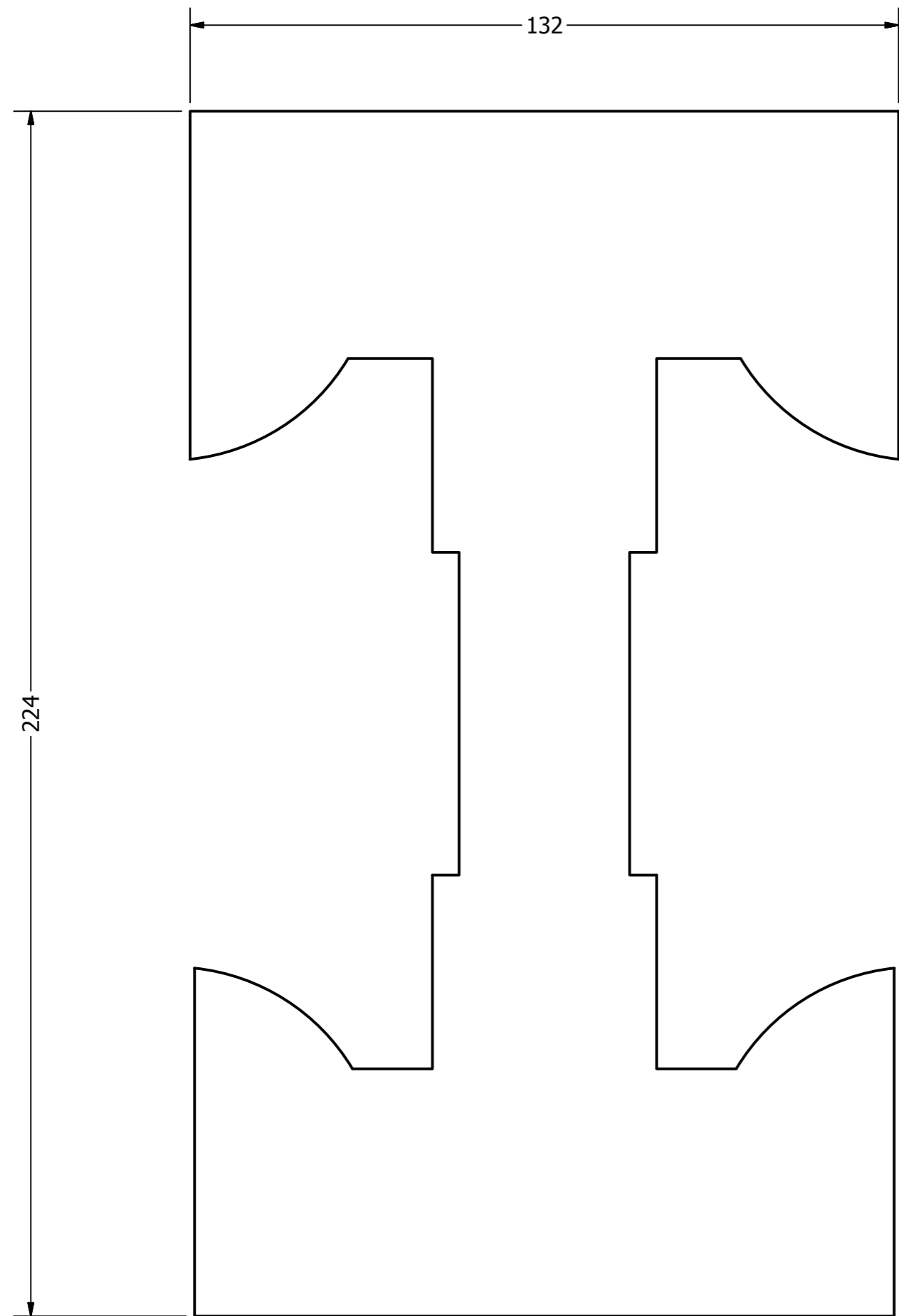


**PATENT PENDING**



**PHONE: 0425 276 837**

DRAWN	4/12/2012	CONTAINER HOARDINGS	
User		TITLE	
CHECKED		TWIST LOCK 2 WAY JOINER	
QA		SIZE	DWG NO
MFG		A2	Part Number CHTL2WJ
APPROVED		SCALE	REV
			01
		SHEET 1 OF 1	