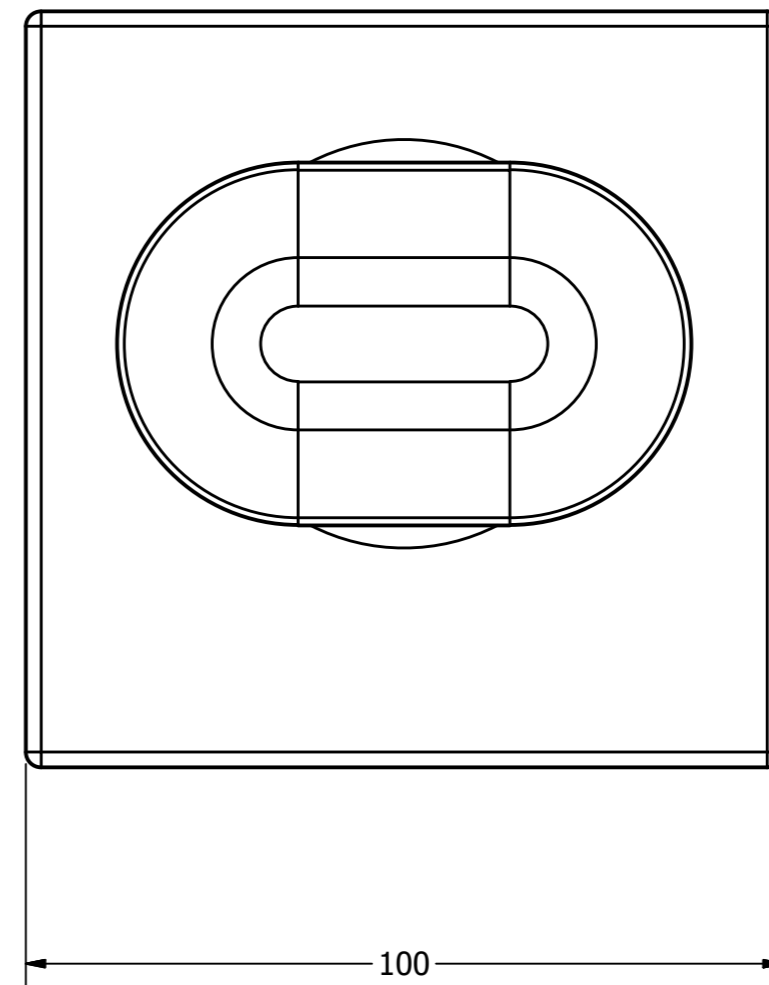
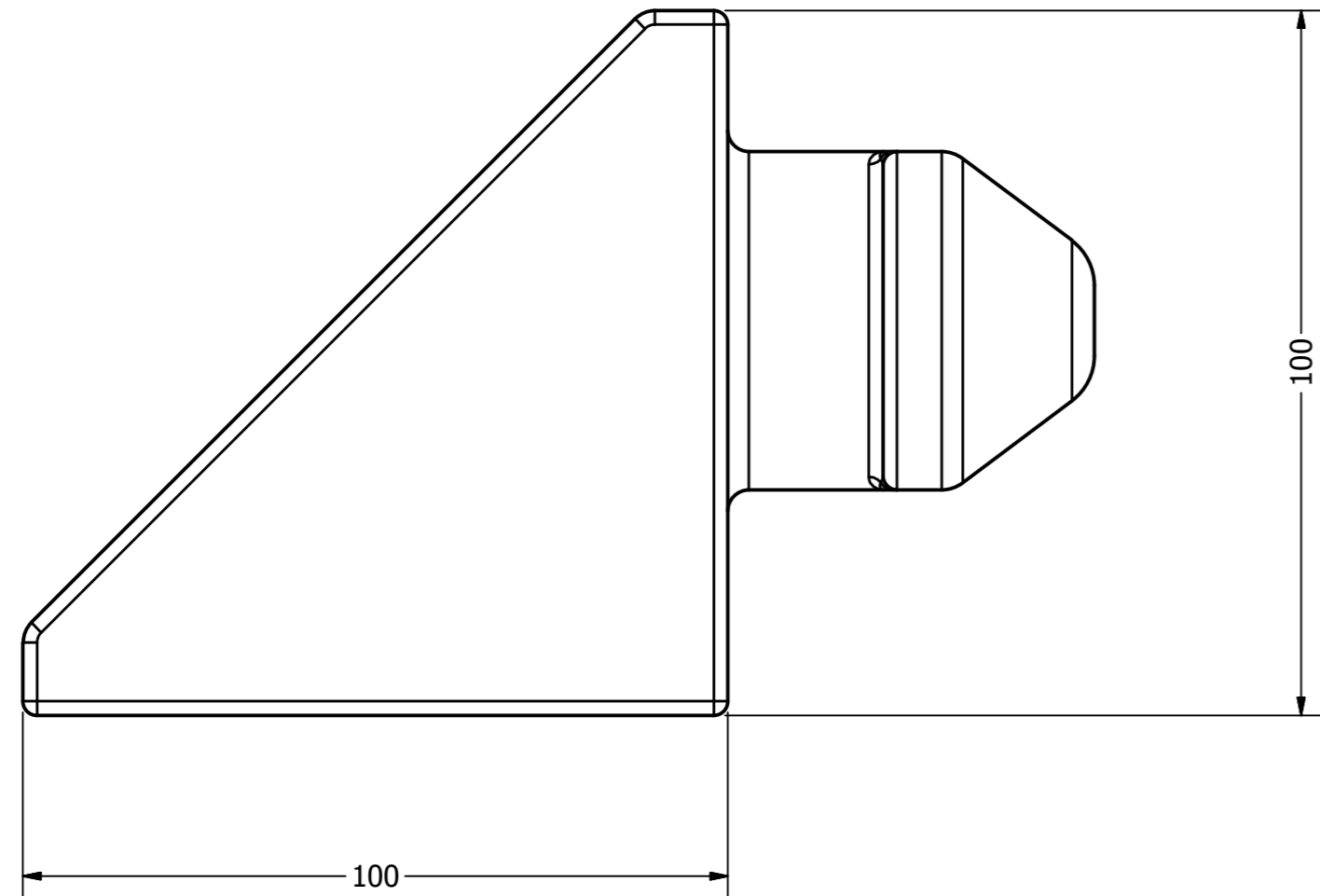
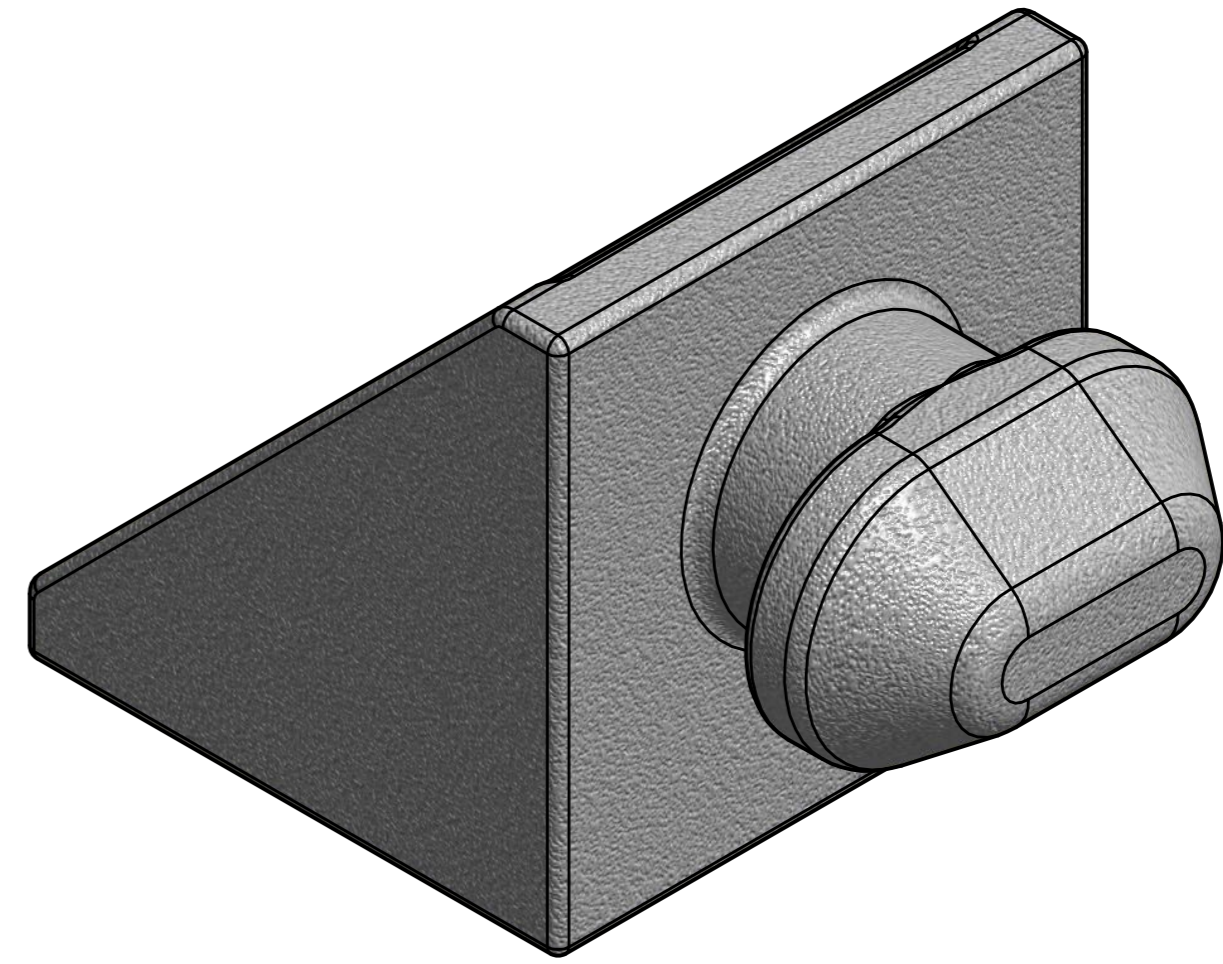
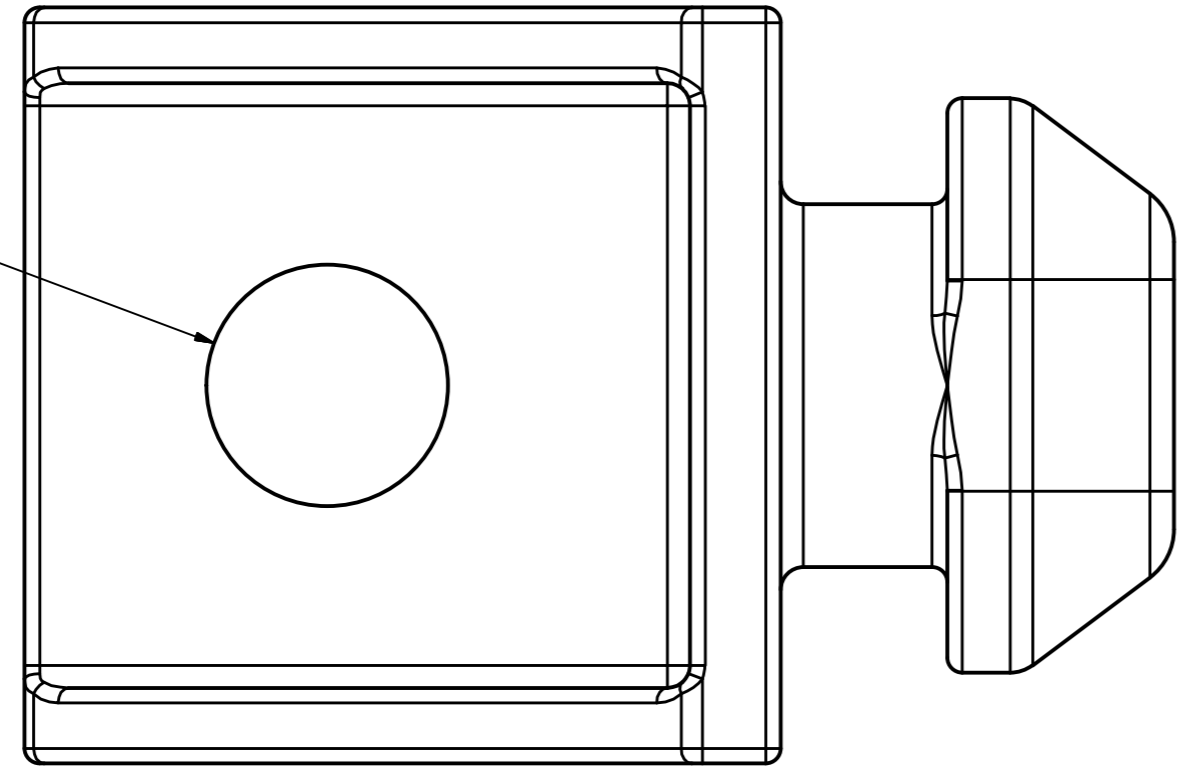


Ø32



Material: ZG270-500  
Finish: Hot dipped Galvanised  
SWL Tension: 40 kN  
SWL Shear: 20 kN  
MBL Tension: 200 kN

Patent # 2019100579

Hot dipped Galvanised

PHONE: 0425 276 837



DRAWN	User	4/12/2012	CONTAINER HOARDINGS	
CHECKED			TITLE	
QA			Side BoltableTwist lock	
MFG			SIZE	DWG NO
APPROVED			A2	CHSTL
			SCALE	REV
				01
			SHEET 1 OF 1	